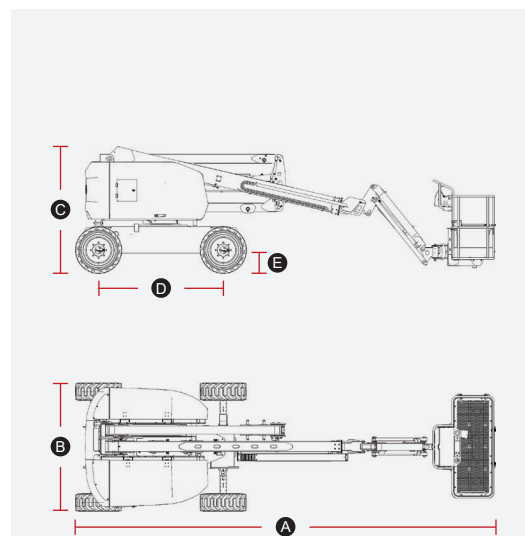


ARTICULATION BOOM LIFT

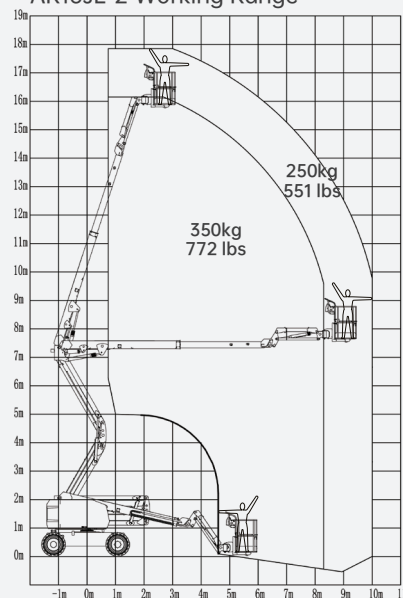
SPECIFICATIONS

MODELS	AR16JE-2	
Measurements	Metric	Imperial
Work Height Max.	17.9m	58'9"
Platform Height Max.	15.9m	52'2"
Horizontal Outreach	9.4m	30'10"
Up and Over Height	7.4m	24'3"
Platform Length	1.83m	6'
Platform Width	0.76m	2'6"
A Stowed Length	7.56m	24'10"
Length-Transport (jib tucked)	5.95m	19'6"
B Overall Width	2.3m	7'7"
C Stowed Height	2.26m	7'5"
Height-Transport	2.68m	8'10"
D Wheelbase	2.25m	7'5"
E Ground Clearance	0.35m	1'2"



PRODUCTIVITY		
Max. Platform Occupants	2(unrestricted)/3(restricted)	
Platform Capacity (unrestricted/restricted)	250/350kg	551/772 lbs
Turntable Rotation	355°	
Drive Speed-Stowed	5km/h	3.1mph
Drive Speed-Raised	0.8km/h	0.5mph
Gradeability	45%	
Max. Wind Speed	12.5m/s	28mph
Turning Radius-Inside	2.9m	9'6"
Turning Radius-Outside	5.7m	18'8"
Max. Working Slope	5°	
Tires Type	Foam-filled	
Tires Models	315/55D20	

AR16JE-2 Working Range



POWER		
Power Source	80V 173Ah	

HYDRAULIC SYSTEM		
Hydraulic Oil Volume	60L	15.9gal

WEIGHT		
Machine Weight	7,200kg	15,873 lbs

Please contact LGMG or a local dealer for more details.

LGMG reserves the right to change technical data without prior notice. All photos and pictures in this brochure are for promotional purposes only.